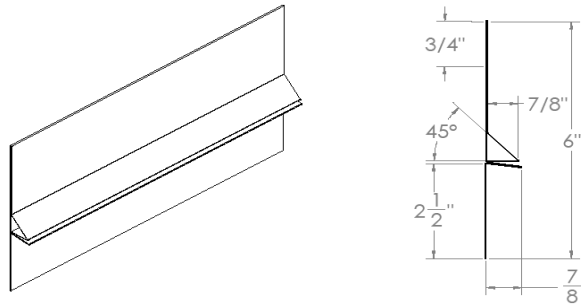




## Niles Building Products Company

### M-SLIDE EXPANSION JOINT



The M-SLIDE EXPANSION JOINT is manufactured for application where movement is anticipated. The self-aligning two-piece design allows for 1-inch vertical movement while maintaining a watertight assembly for plaster walls. M-Slide Expansion Joint is part of Niles Building Product's Water Management line of stucco accessories fabricated from minimum 0.018-inch, hot-dipped galvanized steel, complying with ASTM A653 having a minimum G-90 coating complying with ASTM A 925. **ASTM C1861 - Standard Specification for Lathing and Furring Accessories, and Fasteners, for Interior and Exterior Portland Cement-Based Plaster**