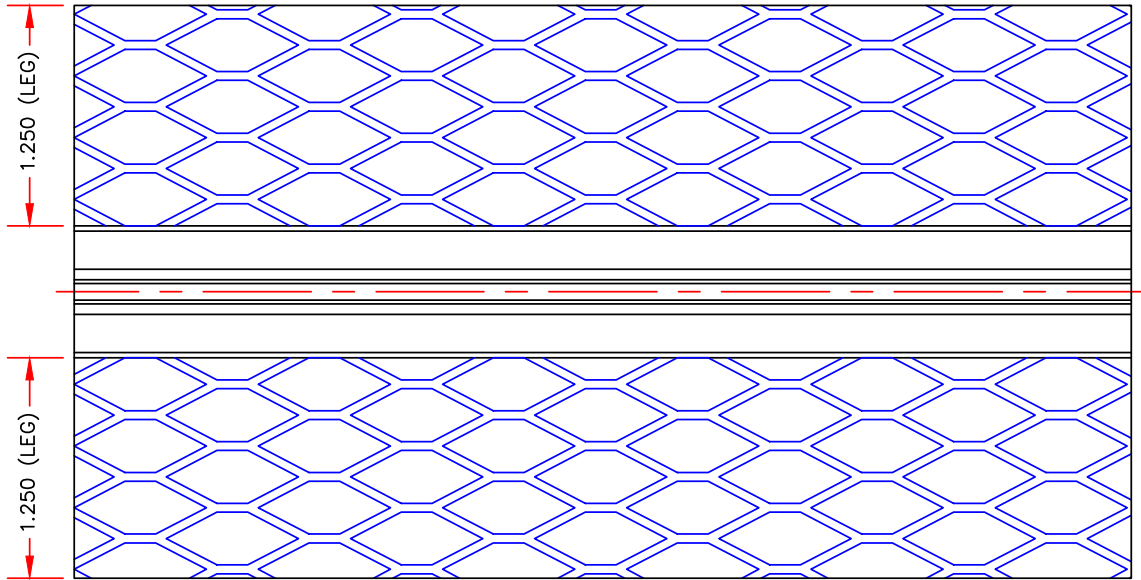
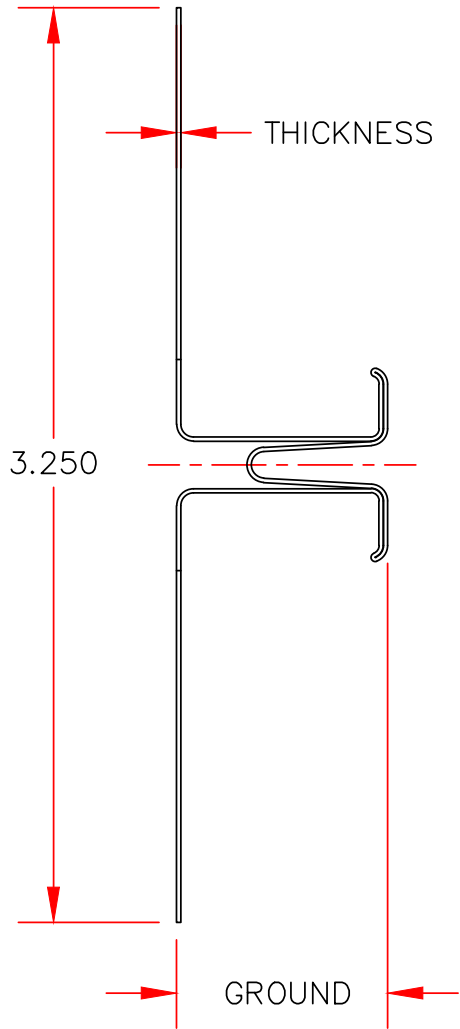


DOUBLE 'J' EXPANSION CONTROL JOINT GALVANIZED

PART #	GROUND	DEC. THICK	LENGTH	PCS/CRTN	CRTNS/PALLET
2010100	1/2	0.017	10'	24	40
2030100	3/4	0.017	10'	24	40
2050100	7/8	0.017	10'	24	40



NILES BUILDING PRODUCTS CO.

Specialists in Metal and Vinyl Building Products

nilesbldg.com • 800-323-3329

**MANUFACTURED TO MEET ASTM: C841, C1063, C1861,
A653/653M STANDARD G60 COATING**

Niles Facility
1600 Hunter Street
Niles, OH 44446

Jacksonville Facility
8441 Western Way
Jacksonville, FL 32256

Dallas-Ft. Worth Facility
2303 I-30 Frontage Road Ste 100
Grand Prairie, TX 75050