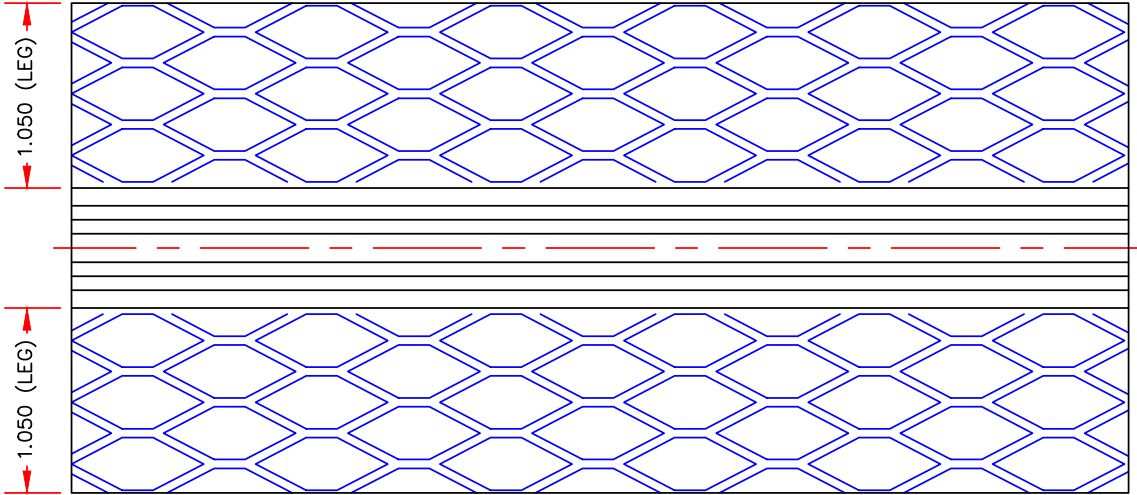
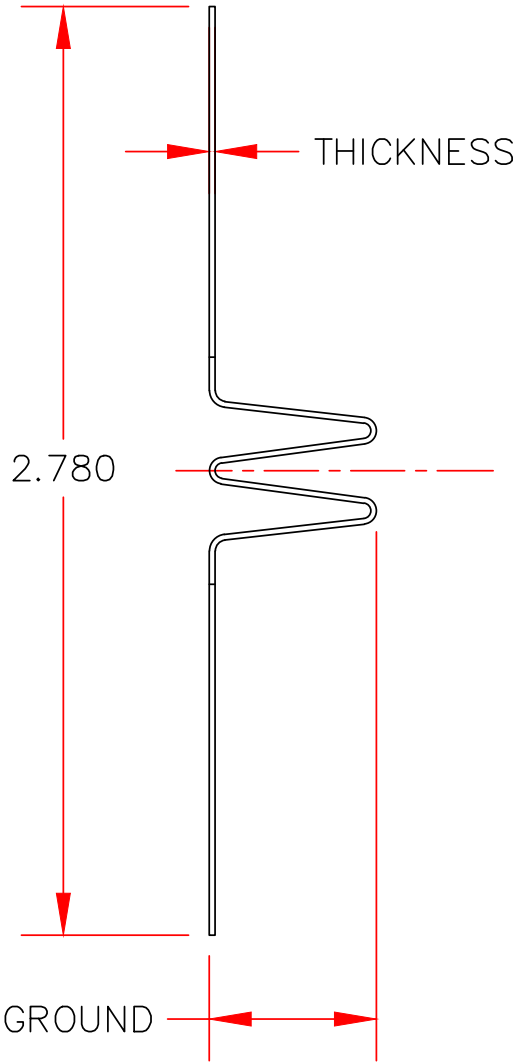


NILES STAINLESS STEEL DOUBLE 'V' EXPANSION CONTROL JOINT

PART #	GROUND	DEC. THICK	LENGTH	PCS/CRTN	CRTNS/PALLET
2120101	1/2	0.017	10'	24	40
2140102	3/4	0.017	10'	24	40



NILES BUILDING PRODUCTS CO.

Specialists in Metal and Vinyl Building Products

nilesbldg.com • 800-323-3329

MANUFACTURED TO MEET ASTM: C841, C1063, C1861

Niles Facility
1600 Hunter Street
Niles, OH 44446

Jacksonville Facility
8441 Western Way
Jacksonville, FL 32256

Dallas-Ft. Worth Facility
2303 I-30 Frontage Road Ste 100
Grand Prairie, TX 75050

NILES STAINLESS STEEL DOUBLE 'V' EXPANSION CONTROL JOINT

Niles Double V Expansion Control Joint is used to provide a mechanism for movement to accommodate expansion and contraction caused by initial stucco shrinkage and minor thermal movement.

Niles Stainless Steel Double V Expansion Control Joint is produced to meet ASTM C1063, with the notable exception that the metal is comprised of stainless steel, and not galvanized carbon steel. It is offered in Stainless Steel types 304 or 316.

Niles Stainless Steel Double V Expansion Control Joint is manufactured from Stainless Steel produced to ASTM A240 standards.

Standard ground sizes are ½" and ¾". Note: Additional ground sizes are available on a special order basis.

Niles Stainless Steel Double V Expansion Control Joint can be used instead of standard metal Double V Expansion Control Joint, in the same manner as detailed in ASTM C1063.

Please note the following requirements and cautions:

Materials: Materials that come in contact with the Niles Stainless Steel Double V Expansion Control Joint shall be either stainless steel or vinyl in order to avoid galvanic corrosion that occurs when dissimilar metals touch.

Fasteners: Stainless Steel Fasteners are recommended for attachment of Niles Stainless Steel Double V Expansion Control Joint. Should standard galvanized fasteners be used, then to prevent standard galvanized fasteners from coming in contact with the Niles Stainless Steel Double V Expansion Control Joint, they are to be separated by washers made of plastic, neoprene or some other inert material. Consult with fastener manufacturer as to fastener recommendations.

Continuous Application: Provide isolation of standard galvanized Lath and Accessories from Stainless Steel Lath and Accessories if used in a continuous application.



NILES BUILDING PRODUCTS CO.

Specialists in Metal and Vinyl Building Products

nilesbldg.com • 800-323-3329

MANUFACTURED TO MEET ASTM: C841, C1063, C1861

Niles Facility
1600 Hunter Street
Niles, OH 44446

Jacksonville Facility
8441 Western Way
Jacksonville, FL 32256

Dallas-Ft. Worth Facility
2303 I-30 Frontage Road Ste 100
Grand Prairie, TX 75050