



NILES BUILDING PRODUCTS

Specialists in Metal and Vinyl Building Products

STEEL AND ZINC CATALOG



Niles Facility
1600 Hunter Street
Niles, OH 44446

Jacksonville Facility
8441 Western Way
Jacksonville, FL 32256

Dallas-Fort Worth Facility
2303 I-30 Frontage Road Ste 100
Grand Prairie, TX 75050

nilesbldg.com • 800-323-3329



About Niles Building Products

We are the industry leader in manufacturing expanded metal and vinyl accessories for stucco, plaster, drywall and veneer plaster applications.



JACKSONVILLE, FL



NILES, OH



DALLAS-FORT WORTH, TX

Incorporated in Niles, OH in 1973 with just one production line and four employees, Niles Building Products has grown to become an industry leader in expanded metal and vinyl accessories—with manufacturing facilities in Niles, OH, Jacksonville, FL and Grand Prairie, TX.

Niles Building Products is a service-oriented company, focused on high quality products while maintaining low overhead. Our distinction and reputation in the walls and ceilings industry are defined by the personal attention we give every inquiry and order.

Expanded metal and vinyl building products are our specialty. Our skills and experience are the key to manufacturing products that maintain the exemplary quality levels our customers expect and depend upon. Our customers have come to depend on us to provide high quality products, competitively priced and delivered in a timely fashion. Make Niles Building Products your first choice in expanded metal and vinyl products.





Table of Contents

METAL STUCCO ACCESSORIES

WEEP SCREED

#7 FHA Foundation Weep Screed	page 4
#36 Foundation Sill Screed	page 4

CORNER BEADS

Niles 1-A Corner Bead	page 5
Niles 2-A Corner Bead	page 5
Wire Corner Beads	page 5

CASING BEADS

Niles No. 66X Expanded Flange Casing Bead	page 6
Niles No. 66N Short Flange Casing Bead	page 7
Niles No. 66N Long Flange Casing Bead	page 7

EXPANSION CONTROL JOINTS

Double 'V' Expansion Control Joint	page 8
Double 'V' Inside Corner Expansion Control Joint	page 8
Double 'J' Expansion Control Joint	page 9
Niles Zinc Control Joint	page 9
Niles Two-Piece Tru-Joint	page 10
M-Slide Two-Piece Expansion Joint	page 10

MISCELLANEOUS ACCESSORIES

Niles Cornerite	page 11
Niles Strip Lath	page 11

METAL LATH

Flat Lath	page 12
Dimpled Lath	page 12
V-Groove Lath	page 13
Paper Back Lath	page 13
3/8" Hi-Rib Lath	page 14
Zinc Lath	page 14

PLASTER/DRYWALL ACCESSORIES

Niles Mini-Bead 800/900	page 15
Niles 'L'-Trim & Niles 'J'-Trim	page 15
Niles 093 Zinc Control Joint	page 16

DRYWALL FRAMING ACCESSORIES

Niles Drywall Corner Bead	page 17
Niles Resilient Channel	page 17
Niles Furring Channel	page 18
U-Channel CRC (Cold Rolled Channel)	page 18
Niles Flat Stock	page 19
Niles Corner Angle	page 19

SECURITY PANELS

Expanded Metal Security Panel	page 20
-------------------------------	---------

STAINLESS STEEL PRODUCTS

Niles Stainless Steel Flat Lath	page 21
Niles Stainless Steel 1-A Corner Bead	page 21
Niles Stainless Steel No. 66X Casing Bead	page 22
Niles Stainless Steel Double 'J' Expansion Control Joint	page 22
Niles Stainless Steel Double 'V' Expansion Control Joint	page 23
Niles Stainless Steel #7 FHA Foundation Weep Screed	page 23

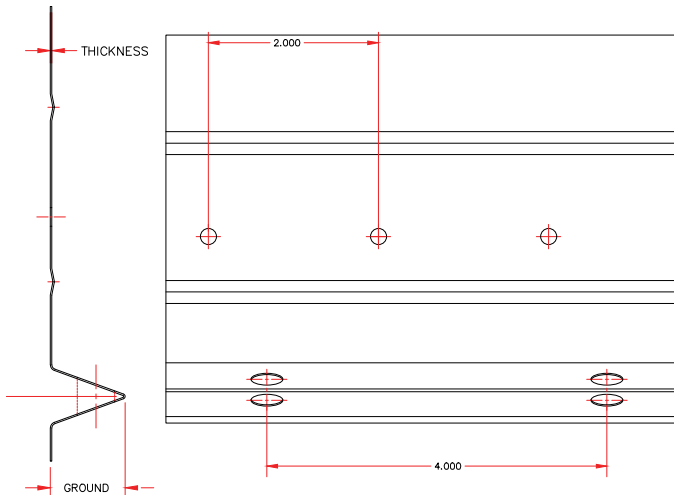
SPECIFICATIONS

Metal Lath & Accessories	page 24
--------------------------	---------

Metal Stucco Accessories

Weep Scream

#7 FHA FOUNDATION WEEP SCREED



The #7 FHA Foundation Weep Scream is used to provide a weep mechanism as part of the drainage system as required at the bottom of all framed walls; by all major building codes and the International Building Code in ASTM C1063. The larger holes in the ground flange are drainage holes as the entire surface of the sloped ground provides for drainage once the stucco has hydrated and shrinkage has occurred. The 3-1/2" nailing flange serves as a flashing when water resistant, breathable building paper or paper backed lath is installed over the flange.

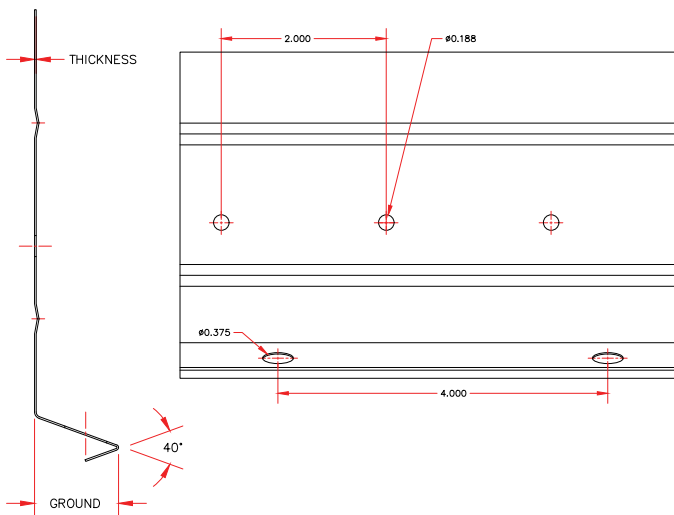
#7 FHA FOUNDATION WEEP SCREED	CRTNS/PALLET	NOMINAL LBS/CRTN	NOMINAL WT/PALLET**
1/2" GALV.	25	80	2000
1/2" ZINC*	25	82	2050
5/8" GALV.	25	83	2075
5/8" ZINC*	25	86	2150
3/4" GALV.	25	88	2200
3/4" ZINC*	25	91	2275
7/8" GALV.	25	92	2300
7/8" ZINC*	25	96	2400
1" GALV	25	96	2400
1" ZINC*	25	100	2500

25 PCS/CRTN – 250 FT/CRTN

*Minimum quantities apply. Consult with sales before ordering.

**Pallet weights may vary.

#36 FOUNDATION SILL SCREED



Sill Screed is used so trowel can access underneath the screed to clean excess stucco material.

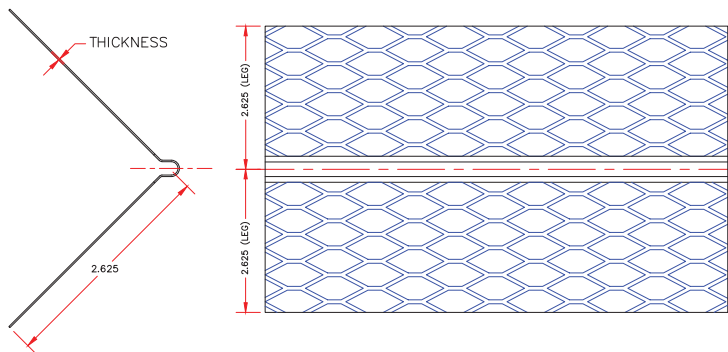
#36 FOUNDATION SILL SCREED	CRTNS/PALLET	NOMINAL LBS/CRTN	NOMINAL WT/PALLET*
1/2"	25	65	1625
3/4"	25	75	1875
7/8"	25	75	1875

25 PCS/CRTN – 250 FT/CRTN

*Pallet weights may vary.

Corner Beads

NILES 1-A CORNER BEAD



Wing size 2-5/8" x 2-5/8". Used to reinforce external corners in Portland cement stucco applications. The 2-5/8" expanded flanges allow for complete embedment of the entire bead, especially near the nose where strength is needed most. Available in hot-dipped galvanized and 99% pure zinc alloy.

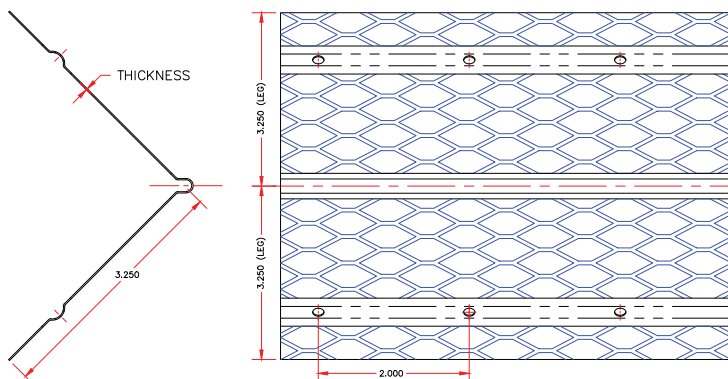
NILES 1-A CORNER BEAD	CRTNS/PALLET	NOMINAL LBS/CRTN	NOMINAL WT/PALLET*
10' GALV.	40	40	1600
10' ZINC.	40	45	1800

30 PCS/CRTN – 300 FT/CRTN

OTHER LENGTHS AVAILABLE ON A SPECIAL-ORDER BASIS

*Pallet weights may vary.

NILES 2-A CORNER BEAD



Wider, reinforced flange of the Niles 2-A Corner Bead provides additional rigidity and strength superior to the Niles 1-A, thus allowing for easier installation.

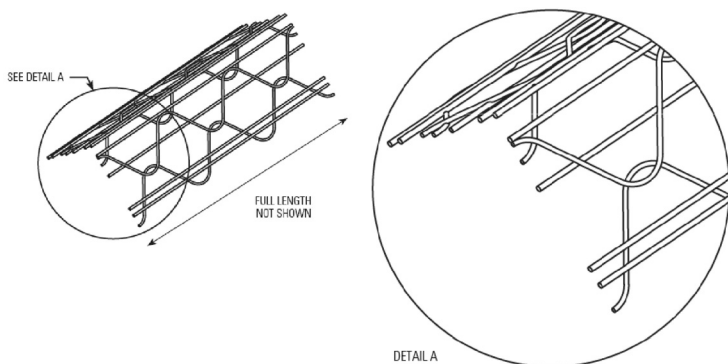
NILES 2-A CORNER BEAD	CRTNS/PALLET	NOMINAL LBS/CRTN	NOMINAL WT/PALLET**
10' GALV.	25	61	1525
10' ZINC.*	25	63	1575

30 PCS/CRTN – 300 FT/CRTN

*Minimum quantities apply. Consult with sales before ordering.

**Pallet weights may vary.

WIRE CORNER BEADS



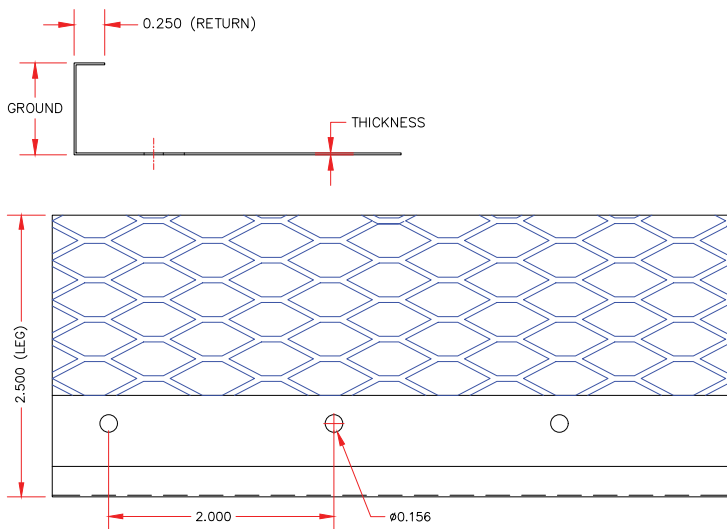
WIRE CORNER BEADS	CRTNS/PALLET	NOMINAL LBS/CRTN	NOMINAL WT/PALLET*
Straight 10'	24	40	960
Straight Arch 10'	24	40	960
Straight Short Flange 10'	24	40	960
Bullnose 10'	24	40	960

40 PCS/CRTN – 400 FT/CRTN

*Pallet weights may vary.

Casing Beads

NILES NO. 66X EXPANDED FLANGE CASING BEAD



Used to effectively terminate plaster edge and/or to separate stucco from all other structural membranes at doors, windows and other openings; also when plaster/stucco meets dissimilar material. Expanded flange provides excellent stucco embedment at the junctions of the bead and metal lath.

Also available with punched grounds upon request. Caution: 66X Casing Beads with punched grounds should not be used as a substitute for #7 FHA Foundation Weep Screed in a 3-coat stucco system.

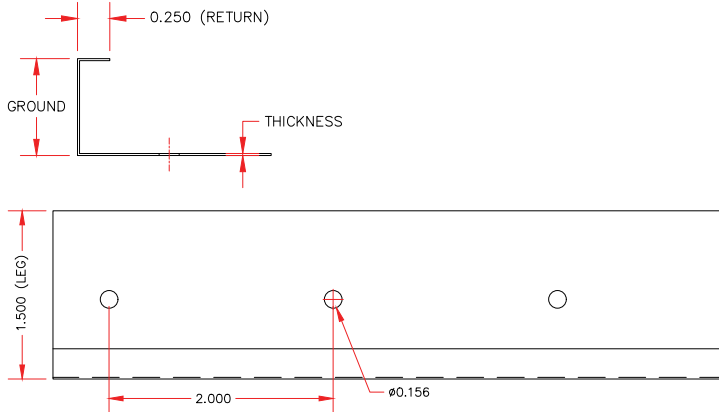
NILES NO. 66X EXPANDED FLANGE	CRTNS/PALLET	NOMINAL LBS/CRTN	NOMINAL WT/PALLET*
1/4" GALV.	42	41	1722
1/4" ZINC*	42	43	1806
3/8" GALV.	42	41	1722
3/8" ZINC*	42	43	1806
1/2" GALV.	42	41	1722
1/2" ZINC*	42	43	1806
5/8" GALV.	42	48	2016
5/8" ZINC*	42	47	1975
3/4" GALV.	42	48	2016
3/4" ZINC*	42	47	1975
7/8" GALV.	42	48	2016
7/8" ZINC*	42	51	2142
1" GALV.	42	48	2016
1" ZINC*	42	51	2142
1-1/4" GALV.	40	50	2000
1-1/4" ZINC*	40	54	2160
1-3/8" GALV.	40	55	2200
1-3/8" ZINC*	40	61	2440
1-1/2" GALV.	40	55	2200
1-1/2" ZINC*	40	61	2440

30 PCS/CRTN – 300 FT/CRTN

*Pallet weights may vary.

Casing Beads con't

NILES NO. 66N SHORT FLANGE CASING BEAD

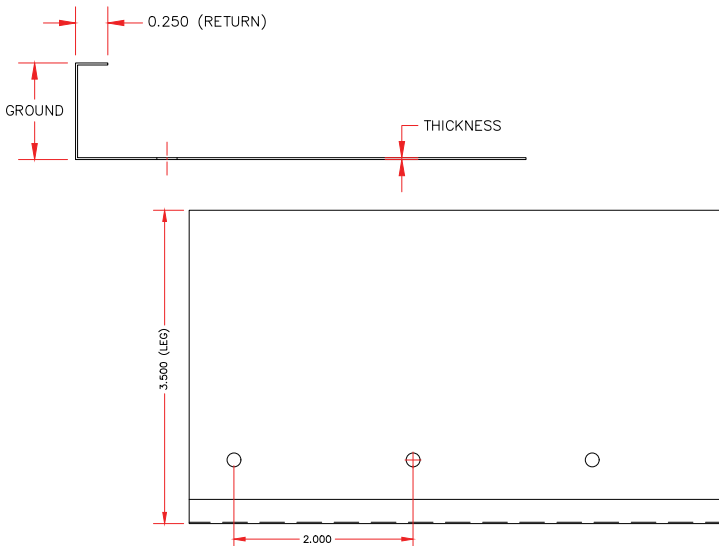


The choice where short, solid flanges are preferable.
Also available with punched grounds.

NILES NO. 66N SHORT FLANGE	CRTNS/PALLET	NOMINAL LBS/CRTN	NOMINAL WT/PALLET**
3/8" GALV. 3/8" ZINC*	42 42	41 43	1722 1806
1/2" GALV. 1/2" ZINC*	42 42	41 43	1722 1806
3/4" GALV. 3/4" ZINC*	42 42	48 47	2016 1975
7/8" GALV. 7/8" ZINC*	42 42	48 51	2016 2142
1" GALV. 1" ZINC*	42 42	48 51	2016 2142
1-1/4" GALV. 1-1/4" ZINC*	40 40	50 54	2000 2160
1-1/2" GALV. 1-1/2" ZINC*	40 40	55 61	2200 2440

30 PCS/CRTN – 300 FT/CRTN
*Special orders only. Minimum quantities apply.
**Pallet weights may vary.

NILES NO. 66N LONG FLANGE CASING BEAD



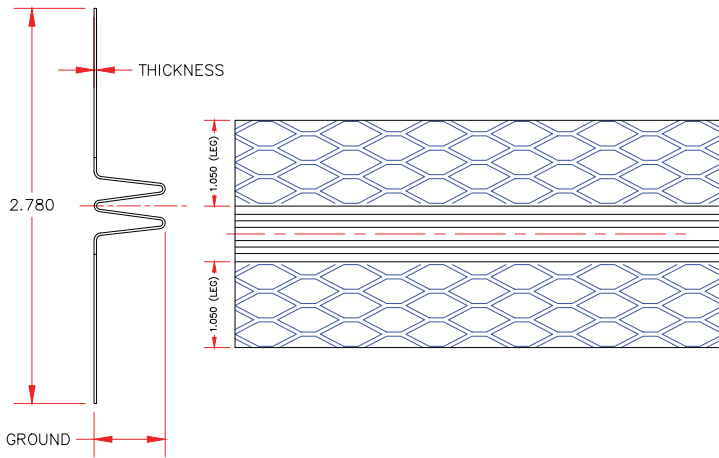
The choice where longer, solid flanges are preferable.
Also available with punched grounds (J-Weep).

NILES NO. 66N LONG FLANGE	CRTNS/PALLET	NOMINAL LBS/CRTN	NOMINAL WT/PALLET*
3/8"	42	67	2814
1/2"	42	75	3150
5/8"	42	78	3276
3/4"	42	78	3276
7/8"	42	81	3402
1"	42	82	3444
1-3/8"	40	86	3440
1-1/2"	40	86	3440

30 PCS/CRTN – 300 FT/CRTN
*Special order only. Minimum quantities apply.

Expansion Control Joints

DOUBLE 'V' EXPANSION CONTROL JOINT



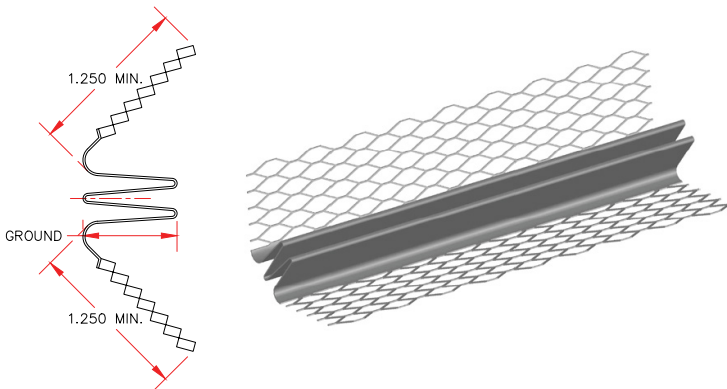
Niles Double 'V' Expansion Control Joints are used to provide mechanism for movement to accommodate expansion and contraction caused by initial stucco shrinkage and minor thermal movement.

DOUBLE 'V' EXPANSION CONTROL JOINT	CRTNS/PALLET	NOMINAL LBS/CRTN	NOMINAL WT/PALLET*
1/4" GALV. 1/4" ZINC	42 42	37 39	1544 1638
3/8" GALV. 3/8" ZINC	42 42	37 39	1554 1638
1/2" GALV. 1/2" ZINC	40 40	52 54	2080 2160
5/8" GALV. 5/8" ZINC	40 40	55 57	2200 2280
3/4" GALV. 3/4" ZINC	40 40	68 71	2720 2840
7/8" GALV. 7/8" ZINC	40 40	70 72	2800 2880

24 PCS/CRTN - 240 FT/CRTN

*Pallet weights may vary.

NILES DOUBLE 'V' INSIDE CORNER EXPANSION CONTROL JOINT



Similar to the standard Double 'V', Niles Double 'V' Inside Corner Expansion Control Joint is roll formed to fit inside corner locations.

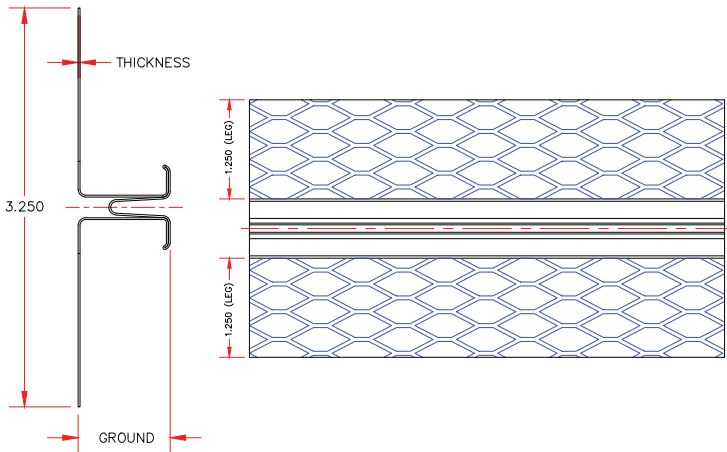
DOUBLE 'V' INSIDE CORNER EXPANSION CONTROL JOINT	CRTNS/PALLET	NOMINAL LBS/CRTN	NOMINAL WT/PALLET*
1/2" GALV. 1/2" ZINC	40 40	52 54	2080 2160
5/8" GALV. 5/8" ZINC	40 40	55 57	2200 2280
3/4" GALV. 3/4" ZINC	40 40	68 71	2720 2840
7/8" GALV. 7/8" ZINC	40 40	70 72	2800 2880

24 PCS/CRTN - 240 FT/CRTN

*Pallet weights may vary.

Expansion Control Joints con't

NILES DOUBLE 'J' EXPANSION CONTROL JOINT



Like the Double 'V', the Double 'J' is also used to provide a mechanism for movement to accommodate expansion and contraction caused by initial stucco shrinkage and minor thermal movement. The Double 'J'-shaped shoulders provide a more secure stucco bond. Comes pre-taped to ensure a clean finish.

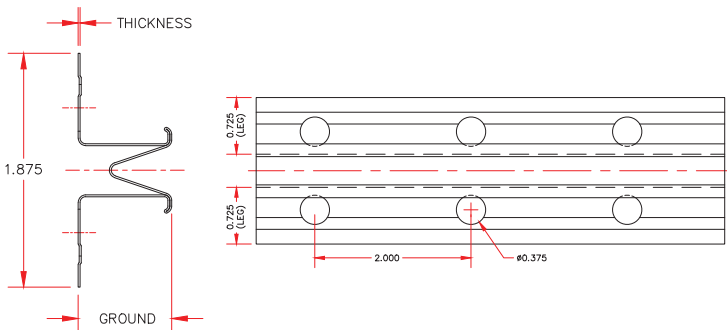
DOUBLE 'J' EXPANSION CONTROL JOINT	CRTNS/ PALLET	NOMINAL LBS/CRTN	NOMINAL WT/ PALLET**
1/2" GALV. 1/2" ZINC*	40	68	2720
3/4" GALV. 3/4" ZINC*	40	69	2760
7/8" GALV. 7/8" ZINC*	40	72	2880
	40	80	3200
	40	79	3160

24 PCS/CRTN – 240 FT/CRTN

*Special order only. Minimum quantities apply.

**Pallet weights may vary.

NILES ZINC CONTROL JOINT



Niles Zinc Control Joint is used to provide a mechanism for movement to accommodate expansion and contraction caused by initial stucco shrinkage and minor thermal movement. The 'J'-shaped shoulder provides excellent stucco bonding.

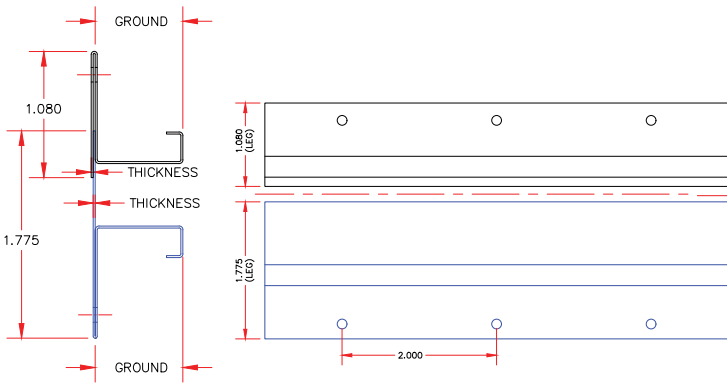
NILES ZINC CONTROL JOINT	CRTNS/ PALLET	NOMINAL LBS/CRTN	NOMINAL WT/ PALLET*
C380 - 3/8"	20	63	1260
C500 - 1/2"	20	65	1300
C750 - 3/4"	20	75	1500

25 PCS/CRTN – 250 FT/CRTN

*Pallet weights may vary.

Expansion Control Joints con't

NILES TWO-PIECE TRU-JOINT

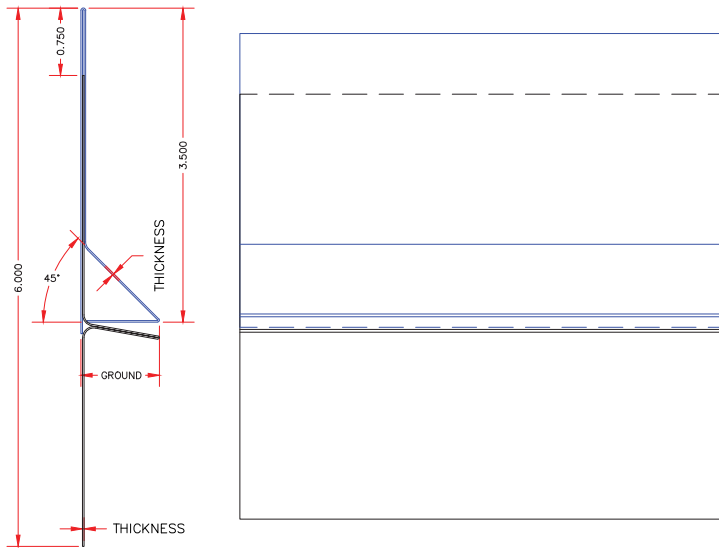


The Niles Two-Piece Tru-Joint is used to relieve stress caused by expansion and contraction and initial stucco shrinkage. The opening adjusts from 1/4" to 5/8" and is ideally used where more movement is expected than would be normal with a one-piece expansion control joint.

NILES TWO-PIECE TRU JOINT	CRTNS/PALLET	NOMINAL LBS/CRTN	NOMINAL WT/PALLET*
1/2" GALV.	25	64	1600
1/2" ZINC	25	66	1650
3/4" GALV.	25	68	1700
3/4" ZINC	25	67	1675
7/8" GALV.	25	72	1800
7/8" ZINC	25	71	1775

15 PCS/CRTN – 150 FT/CRTN
 *Pallet weights may vary.

M-SLIDE TWO-PIECE EXPANSION JOINT



The M-Slide Two-Piece Expansion Joint is manufactured for applications where movement is anticipated. The two-piece design allows for 1-inch vertical movement while allowing water to egress from the wall.

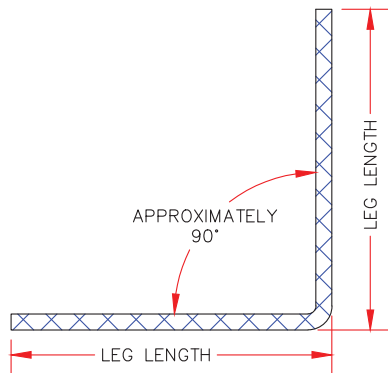
Manufactured from G-90 coated material.

M-SLIDE TWO-PIECE EXPANSION JOINT	PCS/CRTN	LBS/CRTN
7/8"	10	50

100 FT/CRTN

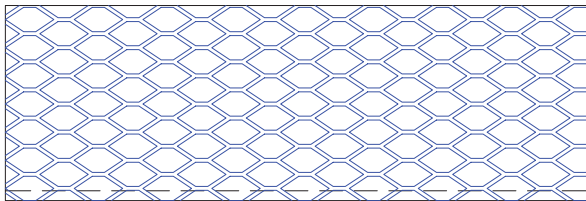
Miscellaneous Accessories

NILES CORNERITE



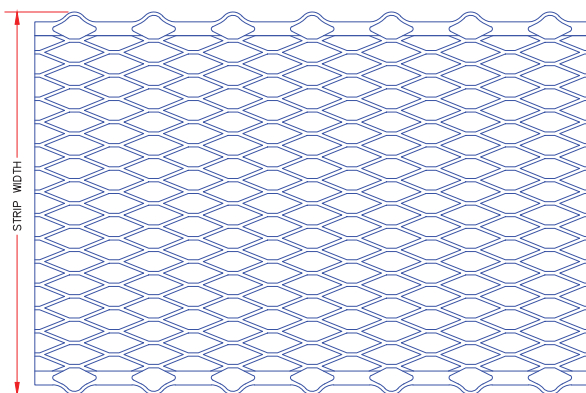
NILES CORNERITE	PCS/ CRTN	FT/ CRTN	CRTNS/ PALLET	NOMINAL LBS/CRTN	NOMINAL WT/ PALLET*
2" GALV. 4'	150	600'	18	57	1026
2" GALV. 8'	75	600'	18	57	1026
3" GALV. 8'	75	600'	18	76	1368

*Pallet weights may vary.



Used to reinforce and straighten inside metal lath installations to provide strength and smoothness to this critical area.

NILES STRIP LATH

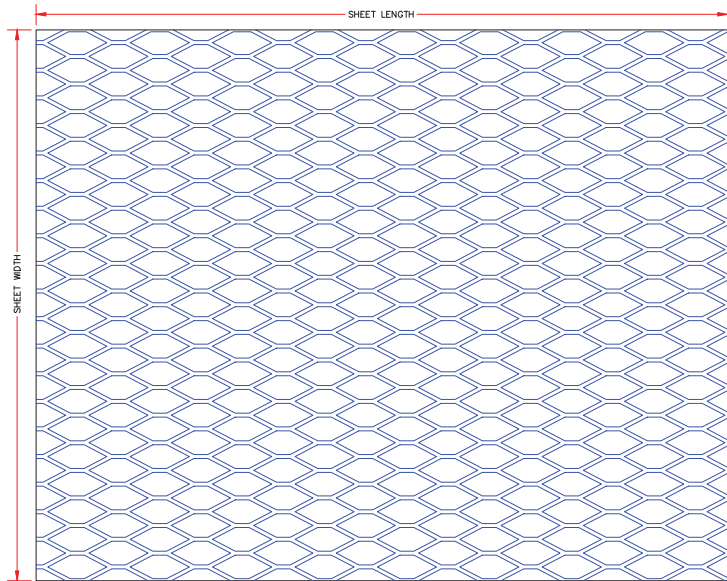


NILES STRIP LATH	PCS/ CRTN	FT/ CRTN	CRTNS/ PALLET	NOMINAL LBS/CRTN	NOMINAL WT/ PALLET*
4" GALV. 8'	75	600'	18	56	1008
6" GALV. 8'	75	600'	18	76	1368

*Pallet weights may vary.

Metal Lath

FLAT LATH

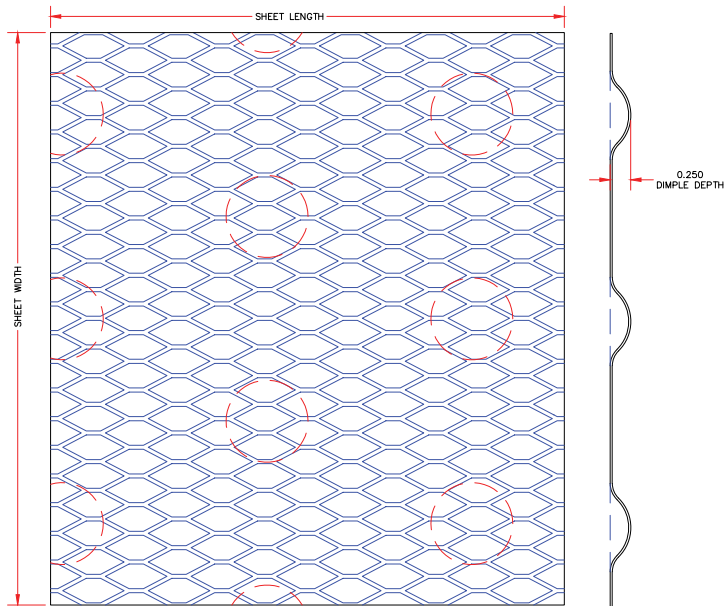


WEIGHT/ SQ YD	SHEET SIZE	PCS/ BNDL	BNDLS/ PALLET
2.5	27" x 97"	10	50
3.4	27" x 97"	10	50

1000 SQ YDS/PALLET

The Niles Diamond Mesh Flat Lath is a versatile metal lath ideal as a plaster base and reinforcement for all type of walls, ceilings, ornamental figures and fireproofing of steel beams and columns.

DIMPLED LATH

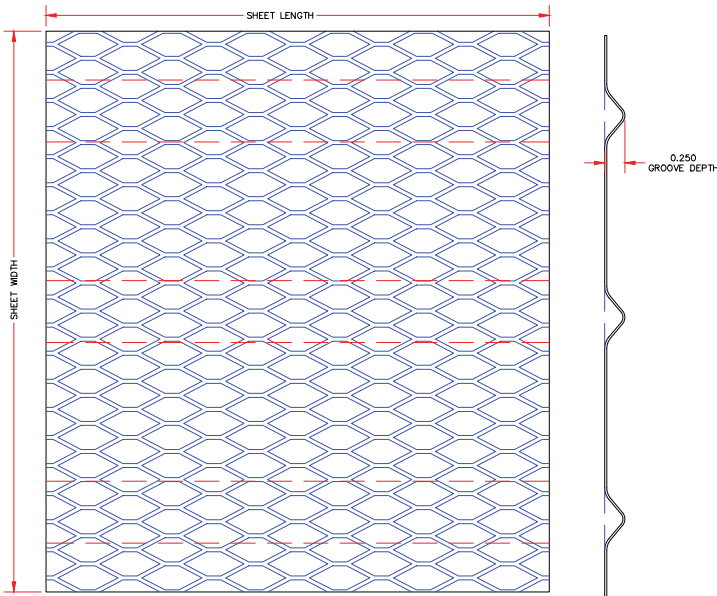


WEIGHT/ SQ YD	SHEET SIZE	PCS/ BNDL	BNDLS/ PALLET
2.5	27" x 97"	10	25
3.4	27" x 97"	10	25

500 SQ YDS/PALLET

The Niles Dimpled Lath provides a 1/4" indentation in the metal lath to hold away from the sheathing base and reinforcement (plaster embedment) for all types of walls and fireproofing of steel beam and columns. Provides ample keying for scratch coat and is commonly used for plaster machine application.

V-GROOVE LATH

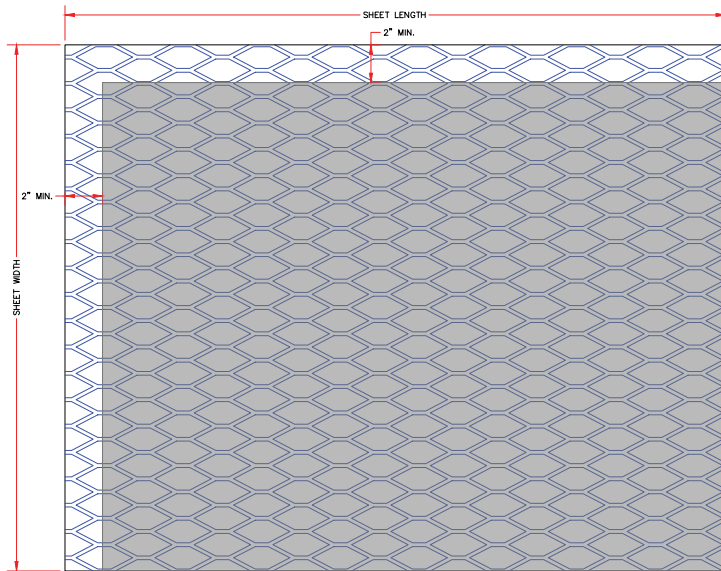


WEIGHT/ SQ YD	SHEET SIZE	PCS/ BNDL	BNDLS/ PALLET
2.5	27" x 97"	10	25
3.4	27" x 97"	10	25

500 SQ YDS/PALLET

The Niles V-Groove Metal Lath, provides a 1/4" V-Groove indentation running the length of the metal lath, furring the lath away from the sheathing base. There are six grooves on each sheet to provide ample keying for scratch coat applications.

PAPER BACK LATH



WEIGHT/ SQ YD	SHEET SIZE	PCS/ BNDL	BNDLS/ PALLET
2.5*	27" x 97"	10	25
3.4*	27" x 97"	10	25

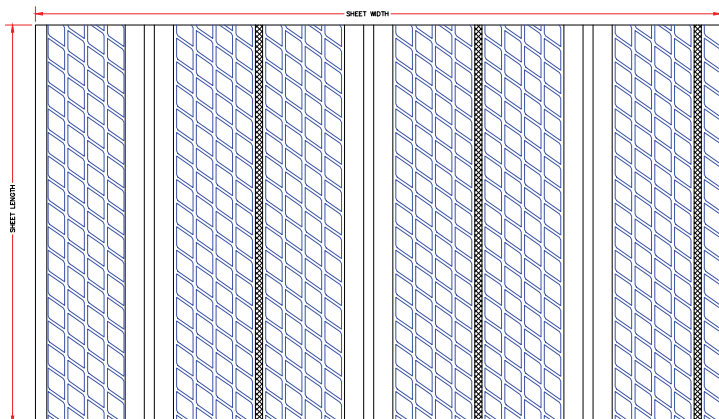
500 SQ YDS/PALLET

*Weight per square yard does not include paper.

The Niles Paper Back Lath is fully backed with Type-1, Grade 'D', Style-2 asphalt paper that meets or exceeds federal specifications NO. UU-B-790A. Paper is offset for easier lapping.

Available in Flat, Dimpled and V-Groove.

3/8" HI-RIB LATH

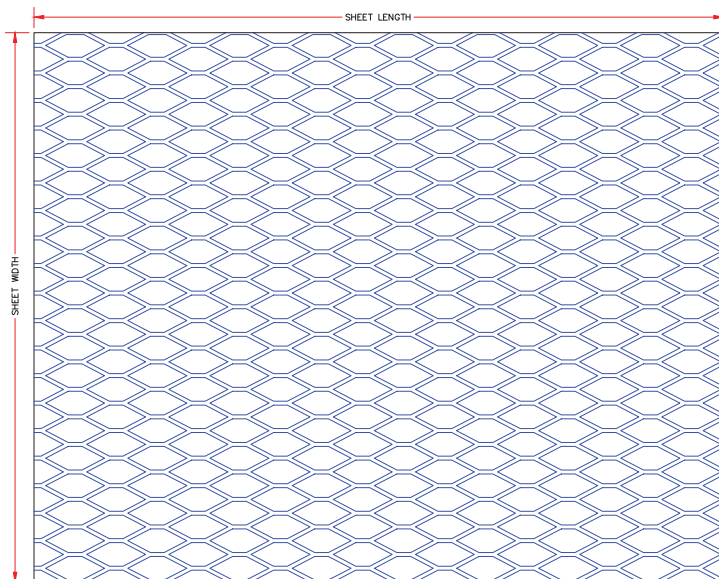


The most rigid of all metal laths; manufactured with 3/8" rib running lengthwise and a 1/8" rib between them. The Hi-Rib Lath is able to span up to 24" on center. Ideal for both vertical and horizontal applications.

WEIGHT/ SQ YD	SHEET SIZE	PCS/ BNDL	BNDLS/ PALLET
3.4	27" x 97"	10	50

1000 SQ YDS/PALLET

ZINC LATH



WEIGHT/ SQ YD	SHEET SIZE	PCS/ BNDL	BNDLS/ PALLET
2.5	27" x 97"	10	25
3.4	27" x 97"	10	25

500 SQ YDS/PALLET

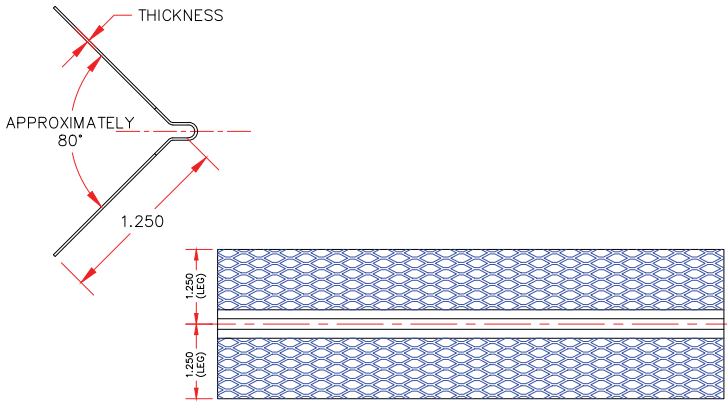
The Niles Zinc Metal Lath provides better corrosion resistance for both specialty and conventional stucco applications. Well suited for coastal applications where salt water and moisture are a concern.

Available in Self-Furring and Paperback, call plant for details.



Plaster/Drywall Accessories

NILES MINI-BEAD 800/900



Wing size 1-1/4" x 1-1/4". Used to provide a straight and true reinforced corner for veneer plaster and drywall applications. Manufactured from hot-dipped galvanized steel, these beads can be nailed, stapled or clinched. The fine mini-mesh flanges allow for excellent bonding to veneer plaster or drywall finishing compound. Available in 8' and 10' lengths.

NILES MINI-BEAD 800/900	CRTNS/PALLET	NOMINAL LBS/CRTN	NOMINAL WT/PALLET*
MINI-BEAD 8'	25	44	1100
MINI-BEAD 9'	25	52	1300
MINI-BEAD 10'	25	54	1350

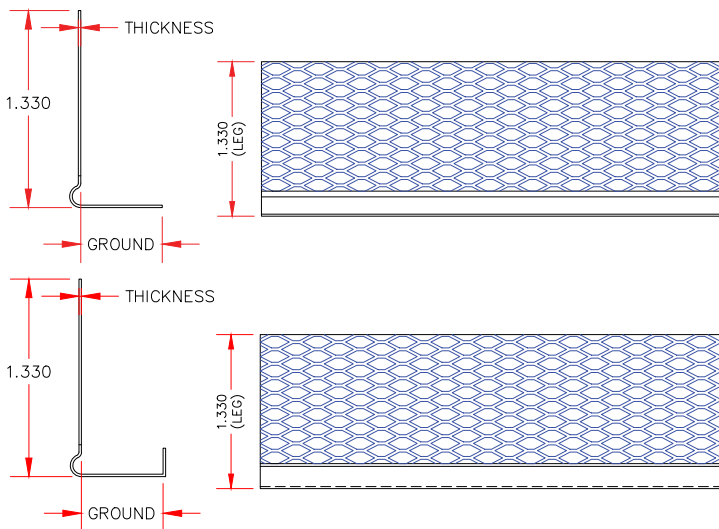
8' Corner Bead 60 PCS/CRTN - 480 FT/CRTN

9' Corner Bead 60 PCS/CRTN - 540 FT/CRTN

10' Corner Bead 60 PCS/CRTN - 600 FT/CRTN

*Pallet weights may vary.

NILES 'L'-TRIM & NILES 'J'-TRIM



Niles 'L'-Trim is used to provide a protective edge for either drywall or veneer gypsum board and plaster, or for gypsum finish edges. It provides a fine mini-mesh flange for bonding of veneer plaster or gypsum finishing compound.

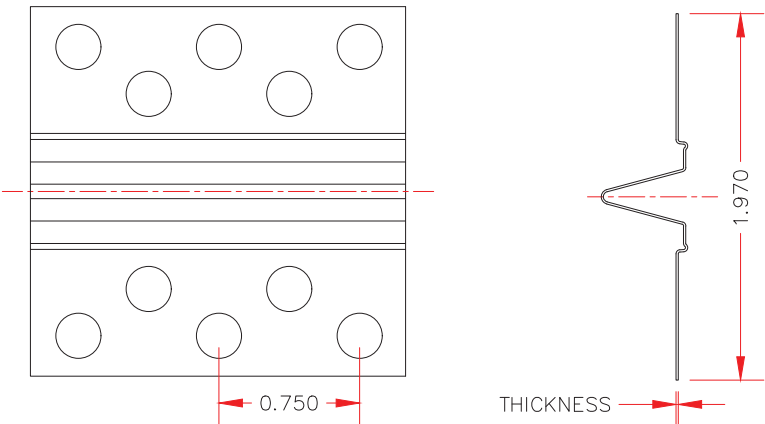
Niles 'J'-Trim is similar to our 'L'-Trim, but with a return lip to provide a complete protective edge around the gypsum board.

NILES 'L' & 'J' TRIMS	CRTNS/PALLET	NOMINAL LBS/CRTN	NOMINAL WT/PALLET*
Niles 'L'-Trims 1/2" & 5/8" - 10'	60	45	2700
Niles 'J'-Trims 1/2" & 5/8" - 10'	63	49	3087

50 PCS/CRTN - 500 FT/CRTN

*Pallet weights may vary.

NILES 093 ZINC CONTROL JOINT



CRTNS/ PALLET	NOMINAL LBS/CRTN	NOMINAL WT/ PALLET*
20	32	640

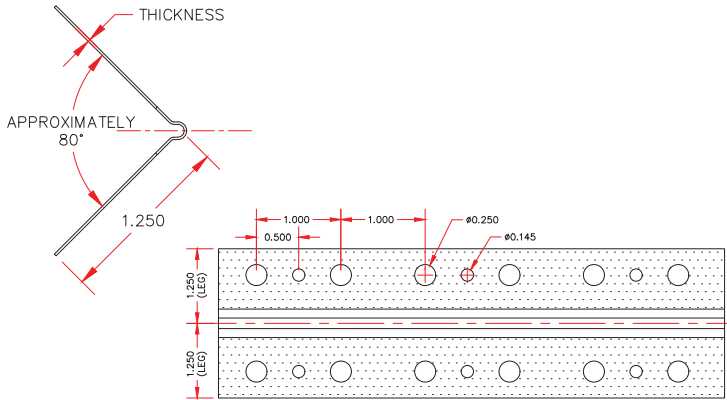
25 PCS/CRTN – 250 FT/CRTN
 *Pallet weights may vary.

Niles 093 Zinc Control Joints are used for large expanses of ceiling and wall areas, both drywall and veneer. Excellent for large partitions and from door headers to ceilings. Tape protects 1/4" openings, 7/16" deep; 3/32" grounds.

Note: A sure seal behind joints must be placed where fire ratings are observed and sound transmissions are a factor.

Drywall Framing Accessories

NILES DRYWALL CORNER BEAD

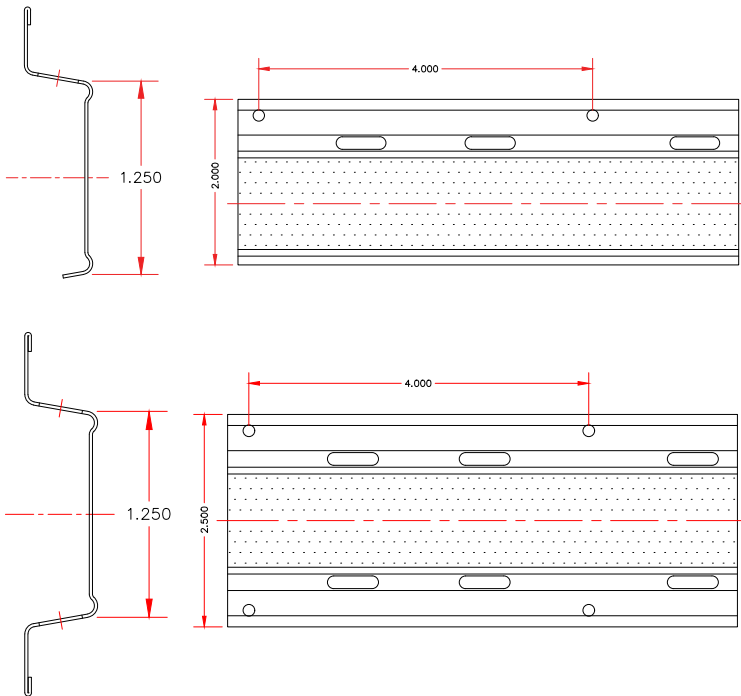


LENGTH	PCS/CRTN	FT/CRTN	CRTNS/PALLET
8"	63	504	49
9"	56	504	49
10"	50	500	49
12"	42	504	49

Niles Building Products' Drywall Corner Bead is an extremely durable, hot-dipped galvanized bead that provides superior corrosion protection. Flanges are deeply knurled for excellent joint compound adhesion. Ideal for high traffic areas, this drywall finishing corner bead is easily installed by using drywall nails, staples, screws or clinching tool.

NOMINAL WEIGHT/CRTN - 56 LBS, NOMINAL WEIGHT/PALLET - 2744 LBS

NILES RESILIENT CHANNEL

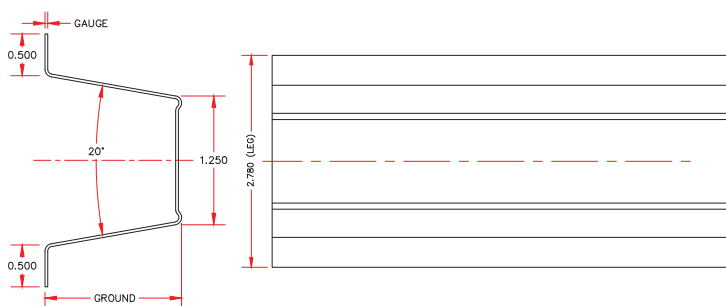


NILES RESILIENT CHANNEL	SIZE	LENGTH	PCS/BNDL
RC-1 ONE LEG, 25 GAUGE	1/2" x 2"	12'	20
RC-2 TWO LEGS, 25 GAUGE	1/2" x 2-1/2"	12'	20

50 BNDLS/PALLET

Niles Resilient Channel reduces transmission of airborne sound through partition and ceiling assemblies. The resilient channel dampens sound waves effectively, dissipating the energy and reducing sound transmission.

NILES FURRING CHANNEL

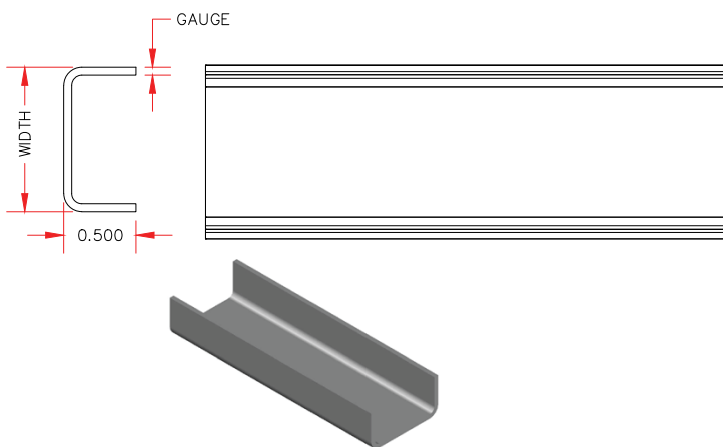


Available in two sizes, the Niles Furring Channel is used as a cross furring member for attachment of gypsum wallboard or lath on ceilings or furred masonry walls.

SIZE	GAUGE	LENGTH	PCS/BNDL
7/8" x 2-1/2"	25	10' & 12'	10
7/8" x 2-1/2"	20	10' & 12'	10
1-1/2" x 2-3/4"	25	10' & 12'	10
1-1/2" x 2-3/4"	20	10' & 12'	10

50 BNDLS/PALLET

U-CHANNEL CRC (COLD ROLLED CHANNEL)



SIZE	LENGTH	PCS/BNDL	WEIGHT/BNDL	WEIGHT/PALLET*
3/4"	10'	20	50 lbs	1000 lbs
3/4"	16'	20	80 lbs	1600 lbs
1-1/2"	10'	10	45 lbs	900 lbs
1-1/2"	16'	10	75 lbs	1500 lbs

20 BNDLS/PALLET

*Pallet weights may vary

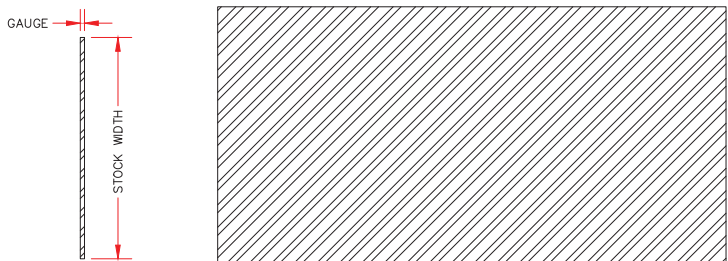
Available in 16 gauge.

U-Channel CRC (Cold Rolled Channel) is most commonly used as a bridging method to provide bracing in metal framing systems.

Note: Cold Rolled Channel will not provide adequate bracing if not properly attached to the framing member.



NILES FLAT STOCK

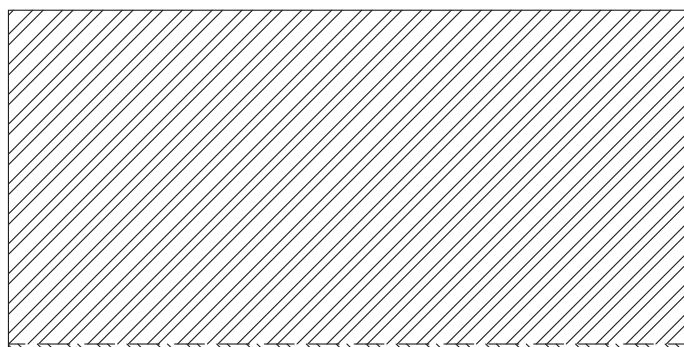
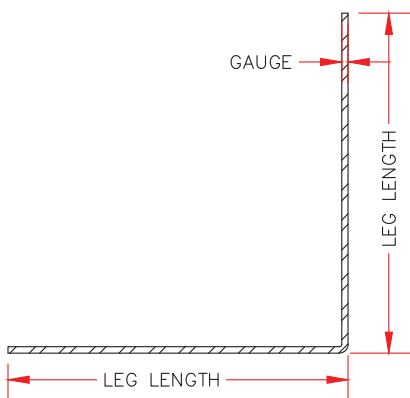


Flat strapping is used for lateral bracing, joist bridging and diagonal bracing to prevent racking.

SIZE	LENGTH	PCS/BNDL
2"	10'	10
4"	10'	10
6"	10'	10

20 BNDLS/PALLET
Available in 16, 18, 20 and 25 gauge.

NILES CORNER ANGLE



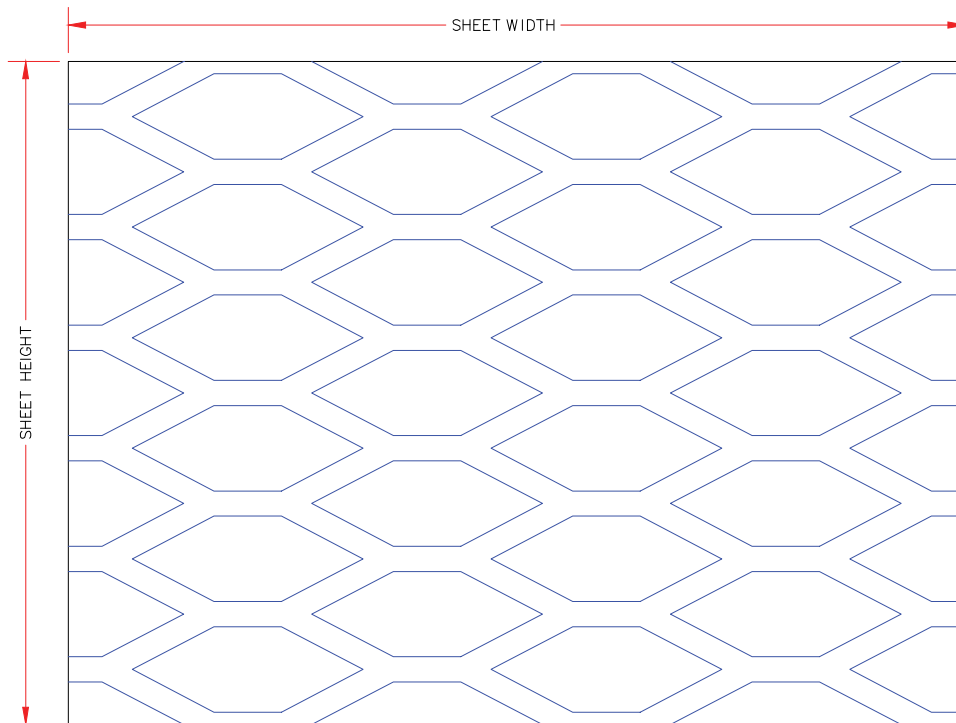
Niles Corner Angle is produced for miscellaneous attachments of intersecting framing components and right angle corner enclosures at lapped framing conditions of non-load bearing framing.

SIZE	LENGTH	PCS/BNDL
1-1/2" x 1-1/2"	10'	10
2" x 2"	10'	10
3" x 3"	10'	10

50 BNDLS/PALLET
Available in 25 and 20 gauge.
Other gauges available upon request.

Security Panels

EXPANDED METAL SECURITY PANEL



SIZE	WEIGHT/ SHEET
1/2" - #18	21 lbs
1/2" - #16	26 lbs
1/2" - #13	39 lbs
3/4" - #16	19 lbs
3/4" - #13	28 lbs
3/4" - #9	62 lbs
3/4" - #9 HLMS	77 lbs
1-1/2" - #16	15 lbs
1-1/2" - #13	21 lbs
1-1/2" - #9	40 lbs

The Expanded Metal Security Panel is used to provide strength and security to interior partitions, floors and ceilings. Standard expanded panels are attached to framing with Security Clips and create a steel barrier behind the finished drywall.

Product features and benefits include:

- can be used accommodate all wall heights and configurations
- attaches easily to all framing and joists
- used in banks, panic rooms, retail stores and government buildings
- available in Uncoated, Galvanized or Stainless Steel

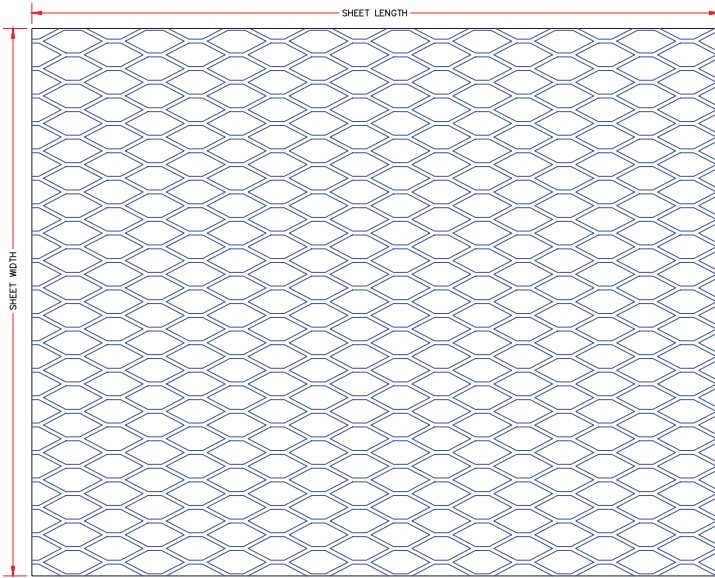
Sheet size 48" x 96".

Available in Standard and Flattened. Security Clips are used to attach panels quickly and easily to framing and joists. Security Clips sold 300 PCS/BOX.



Stainless Steel Products

NILES STAINLESS STEEL FLAT LATH

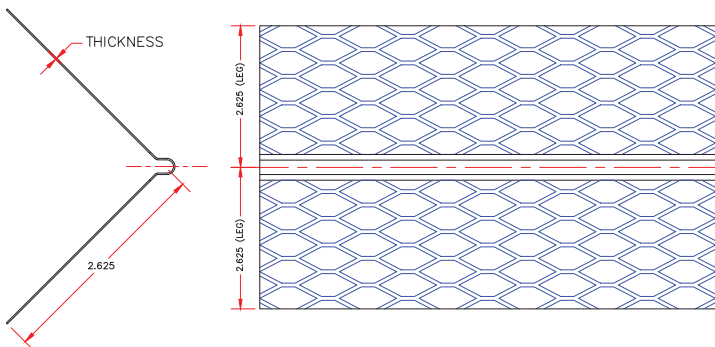


WEIGHT/ SQ YD	STAINLESS STEEL TYPE	SHEET SIZE	SHEETS/ BNDL
2.5	304/316	27" x 97"	10
3.4	304/316	27" x 97"	10

The Niles Stainless Steel Flat Lath is a versatile metal lath ideal as a plaster base and reinforcement for all types of walls, ceilings, ornamental figures and fireproofing of steel beams and columns.

Also available in Dimpled.

NILES STAINLESS STEEL 1-A CORNER BEAD



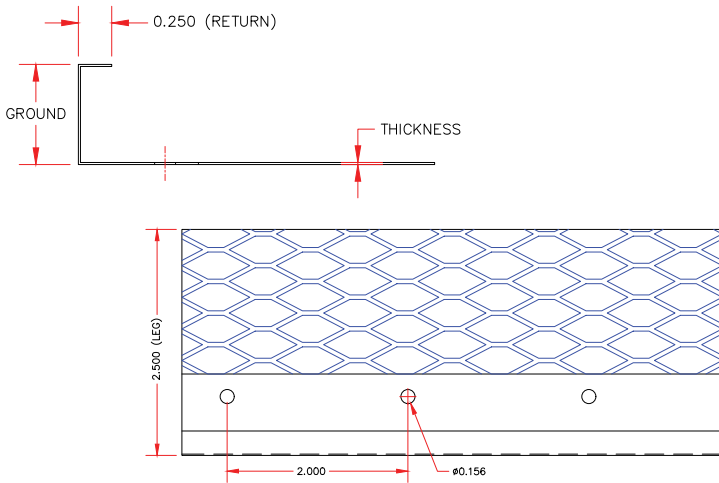
NILES STAINLESS STEEL NO. 1-A CORNER BEAD	STAINLESS STEEL TYPE	PCS/ CRTN
10'	304 or 316	30

300 FT/CRTN

The Niles Stainless Steel 1-A Corner Bead is used to reinforce external corners in Portland cement stucco applications.



NILES STAINLESS STEEL NO. 66X CASING BEAD

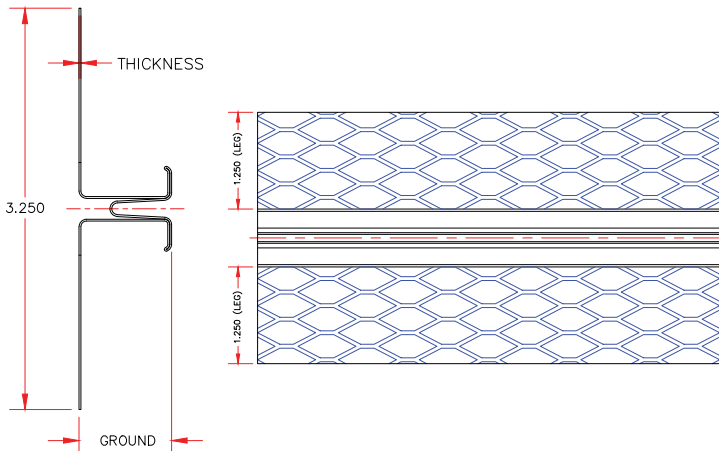


The Niles Stainless Steel No. 66X Casing Bead is used to effectively terminate plaster edge and/or to separate stucco from all other structural membranes at doors, windows and other openings.

NILES STAINLESS STEEL NO. 66X EXPANDED FLANGE	STAINLESS STEEL TYPE	PCS/ CRTN
1/2" & 3/4"	304 or 316	30

300 FT/CRTN

NILES STAINLESS STEEL DOUBLE 'J' EXPANSION CONTROL JOINT



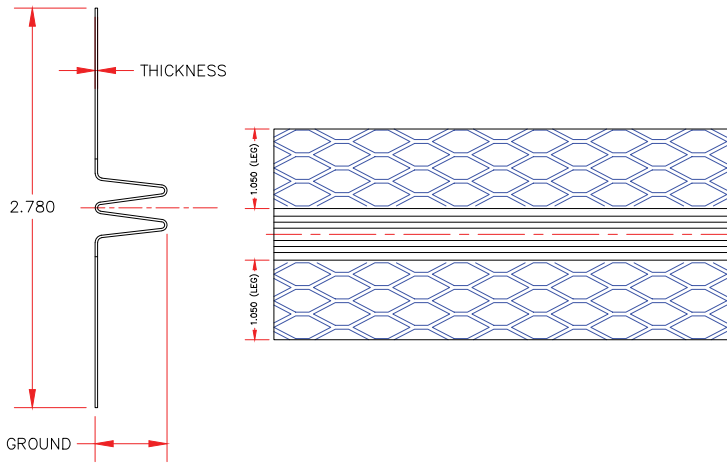
The Niles Stainless Steel Double 'J' Expansion Control Joint is used to provide mechanism for movement to accommodate expansion and contraction caused by initial stucco shrinkage and minor thermal movement.

NILES STAINLESS STEEL DOUBLE 'J' EXPANSION CONTROL JOINT	STAINLESS STEEL TYPE	PCS/ CRTN
1/2" & 3/4"	304 or 316	24

240 FT/CRTN



NILES STAINLESS STEEL DOUBLE 'V' EXPANSION CONTROL JOINT

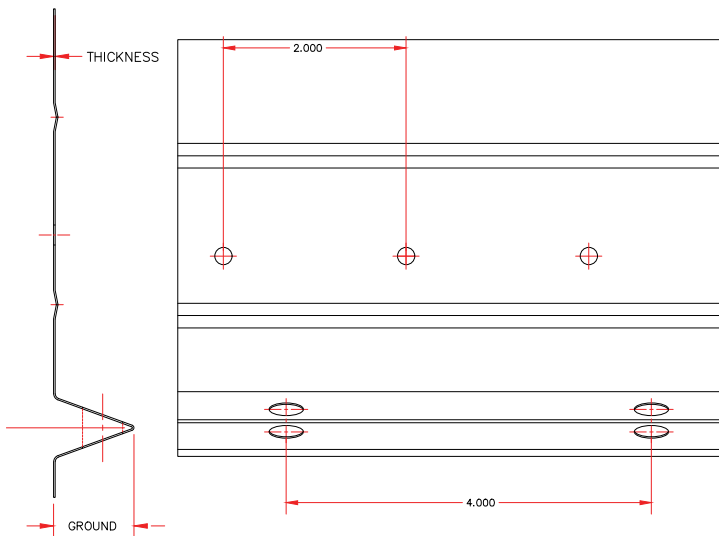


NILES STAINLESS STEEL DOUBLE 'V' EXPANSION CONTROL JOINT	STAINLESS STEEL TYPE	PCS/ CRTN
1/2" & 3/4"	304 or 316	24

240 FT/CRTN

The Niles Stainless Steel Double 'V' Expansion Control Joint is used to provide a mechanism for movement to accommodate expansion and contraction caused by initial stucco shrinkage and minor thermal movement.

NILES STAINLESS STEEL #7 FHA FOUNDATION WEEP SCREED



NILES STAINLESS STEEL #7 FHA FOUNDATION WEEP SCREED	STAINLESS STEEL TYPE	PCS/ CRTN
1/2" & 3/4"	304 or 316	25

250 FT/CRTN

The Niles Stainless Steel #7 FHA Foundation Weep Screed is used to provide a weep mechanism as part of the drainage system as required at the bottom of all framed walls; by all major building codes and the International Building Code in ASTM C1063. The larger holes in the ground flange are bonding holes as the entire surface of the sloped ground provides for drainage once the stucco has hydrated and shrinkage has occurred.

Specifications

Metal Lath & Accessories

HOT DIPPED GALVANIZED:

- ASTM C645** Standard specification for non-structural steel framing members
- ASTM A653** Standard specification for steel sheet zinc coated (galvanized) or zinc iron alloy coated (galvanized) by the hot-dip process
- ASTM C841** Standard specification for installation of interior lath and furring
- ASTM C847** Standard specification for metal lath (2.5 & 3.4 only)
- ASTM C1047** Standard specification for gypsum wallboard and gypsum veneer base accessories
- ASTM C1063** Standard specification for installation of lathing and furring for Portland cement based plaster
- ASTM C1861** Standard specification for lathing and furring accessories, and fasteners, for interior and exterior Portland cement based plaster

- All galvanized products produced from G60 hot-dipped galvanized raw material to meet full compliance for your application needs.
- Full line of G90 hot-dipped galvanized now available. This finish is intended for applications where superior corrosion resistance is required and cost is a consideration. Contact sales for details.

ZINC:

- ASTM B69** Standard specification for flat rolled zinc. Approximately 99% pure zinc.

PAPER:

Type 1, Grade "D", Style 2.
Meets or exceeds federal specifications No. 44-B-790A

STORAGE:

Per ASTM C1063, all metal lath and accessories must be protected from the elements during storage and at job sites.



