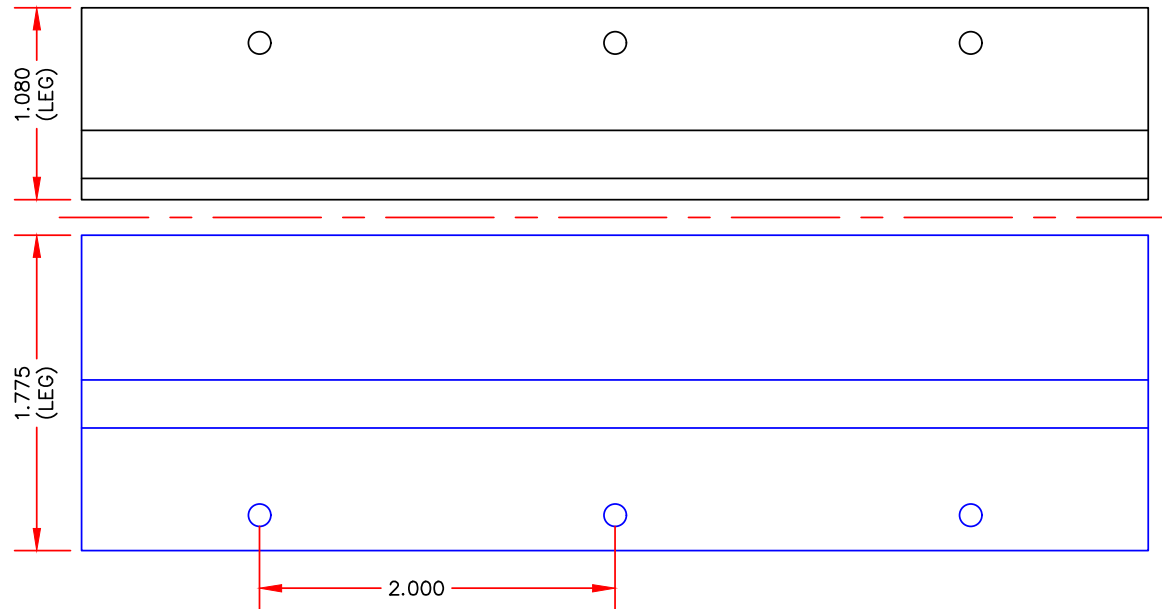
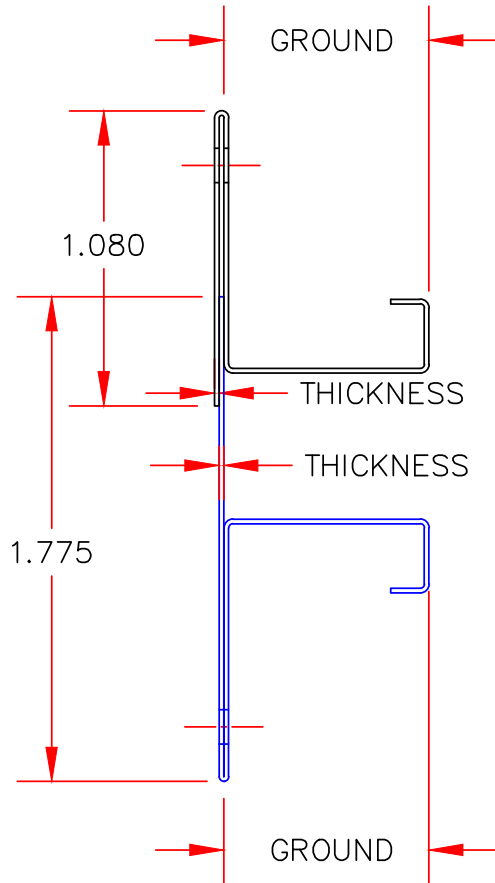


NILES TWO-PIECE TRU-JOINT ZINC

PART #	GROUND	DEC. THICK	LENGTH	PCS/CRTN	CRTNS/PALLET
2210101	1/2	0.018	10'	15	25
2230101	3/4	0.018	10'	15	25
2250101	7/8	0.018	10'	15	25



NILES BUILDING PRODUCTS CO.

Specialists in Metal and Vinyl Building Products

nilesbldg.com • 800-323-3329

MANUFACTURED TO MEET ASTM: C841, C1063, C1861, B69

Niles Facility
1600 Hunter Street
Niles, OH 44446

Jacksonville Facility
8441 Western Way
Jacksonville, FL 32256

Dallas-Ft. Worth Facility
2303 I-30 Frontage Road Ste 100
Grand Prairie, TX 75050