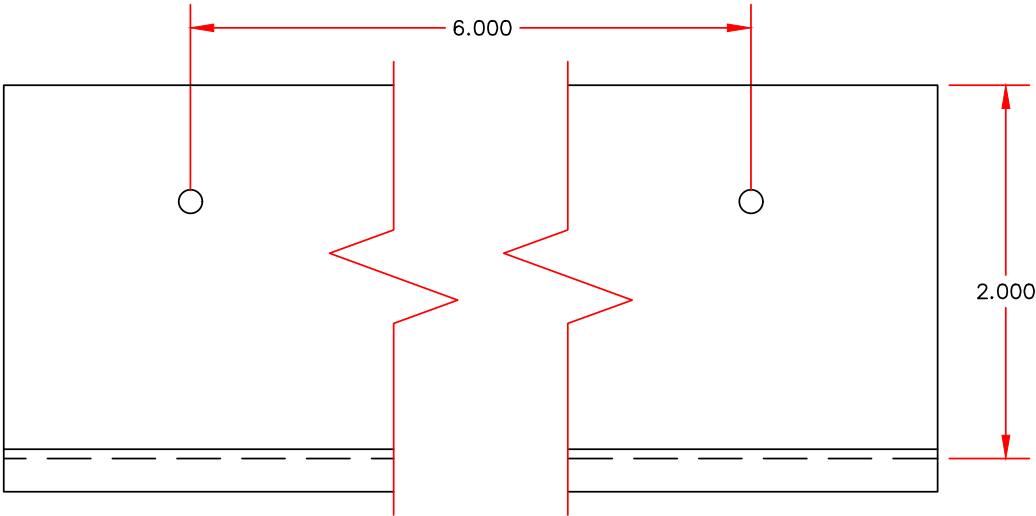
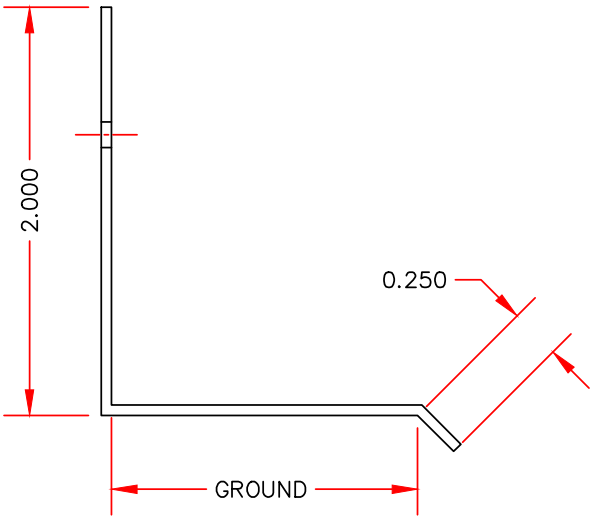


NILES VINYL WINDOW/DOOR DRIP EDGE

PART #	GROUND	LENGTH	PCS/CRTN	FEET/CRTN	CRTNS/PALLET
7017205	1	10'	75	750'	25
7017210	1-1/2	10'	60	600'	25
7017215	2	10'	50	500'	25



NILES BUILDING PRODUCTS CO.

Specialists in Metal and Vinyl Building Products

nilesbldg.com • 800-323-3329

MANUFACTURED TO MEET ASTM: C1063, C1861, D1784, D4216

Niles Facility
1600 Hunter Street
Niles, OH 44446

Jacksonville Facility
8441 Western Way
Jacksonville, FL 32256

Dallas-Ft. Worth Facility
2303 I-30 Frontage Road Ste 100
Grand Prairie, TX 75050