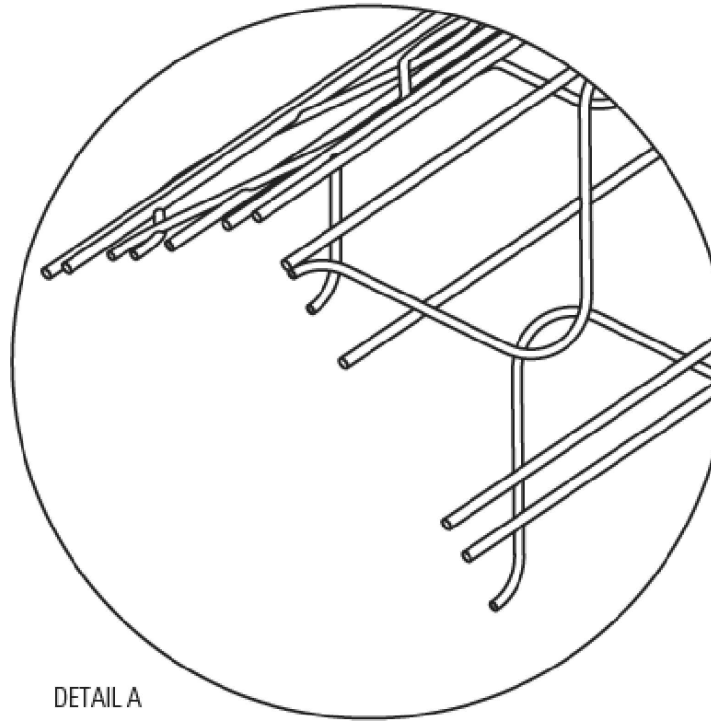
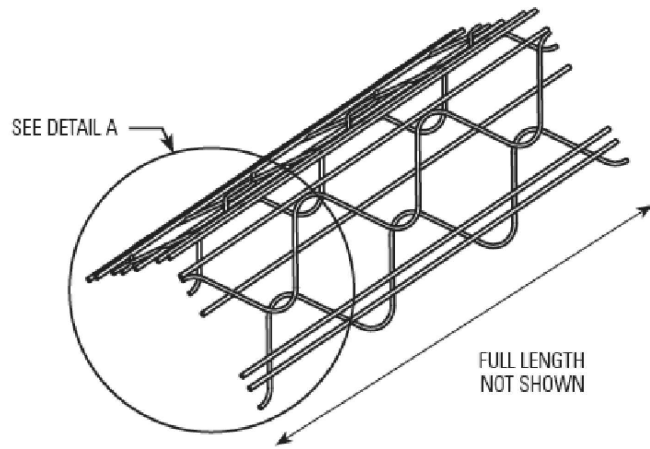


## WIRE CORNER BEADS

PART #	PRODUCT	LENGTH	PCS/CRTN	CRTNS/PALLET
9101010	STRAIGHT	10'	40	24
9101110	STRAIGHT ARCH	10'	40	24
9101210	STRAIGHT SHORT FLANGE	10'	40	24
9101310	BULLNOSE	10'	40	24



DETAIL A



**NILES BUILDING PRODUCTS CO.**

*Specialists in Metal and Vinyl Building Products*

nilesbldg.com • 800-323-3329

**MANUFACTURED TO MEET ASTM: C653, C841, C1063, C1861**

**Niles Facility**  
1600 Hunter Street  
Niles, OH 44446

**Jacksonville Facility**  
8441 Western Way  
Jacksonville, FL 32256

**Dallas-Ft. Worth Facility**  
2303 I-30 Frontage Road Ste 100  
Grand Prairie, TX 75050