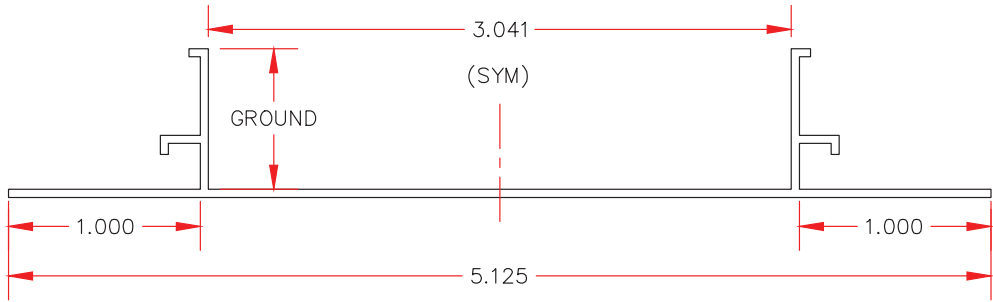
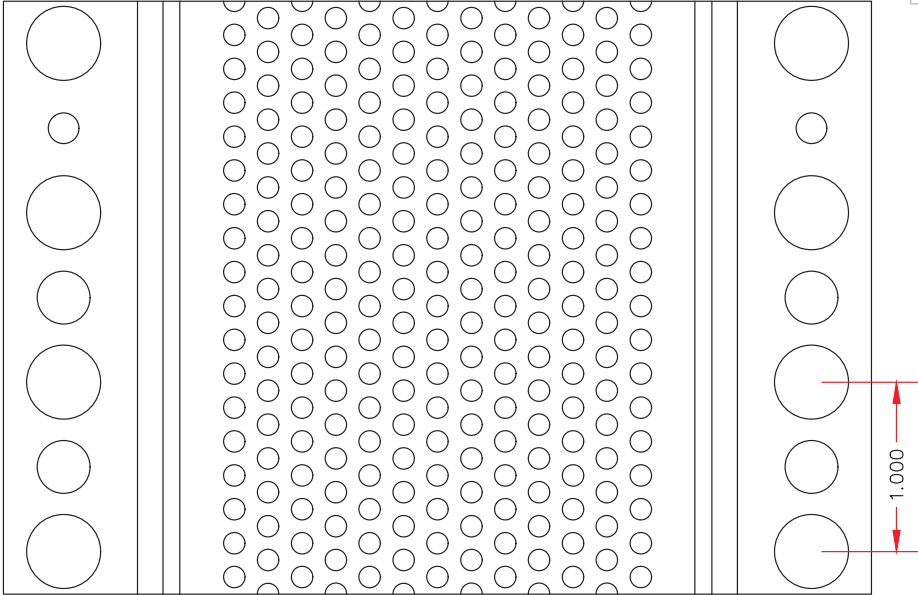


NILES VINYL 3" CONTINUOUS SOFFIT VENT 3/4" GROUND

PART #	GROUND	LENGTH	PCS/CRTN	FEET/CRTN	CRTNS/PALLET
7017100	3/4	10'	15	150'	25



NILES BUILDING PRODUCTS CO.

Specialists in Metal and Vinyl Building Products

nilesbldg.com • 800-323-3329

MANUFACTURED TO MEET ASTM: C1063, C1861, D1784, D4216

Niles Facility
1600 Hunter Street
Niles, OH 44446

Jacksonville Facility
8441 Western Way
Jacksonville, FL 32256

Dallas-Ft. Worth Facility
2303 I-30 Frontage Road Ste 100
Grand Prairie, TX 75050